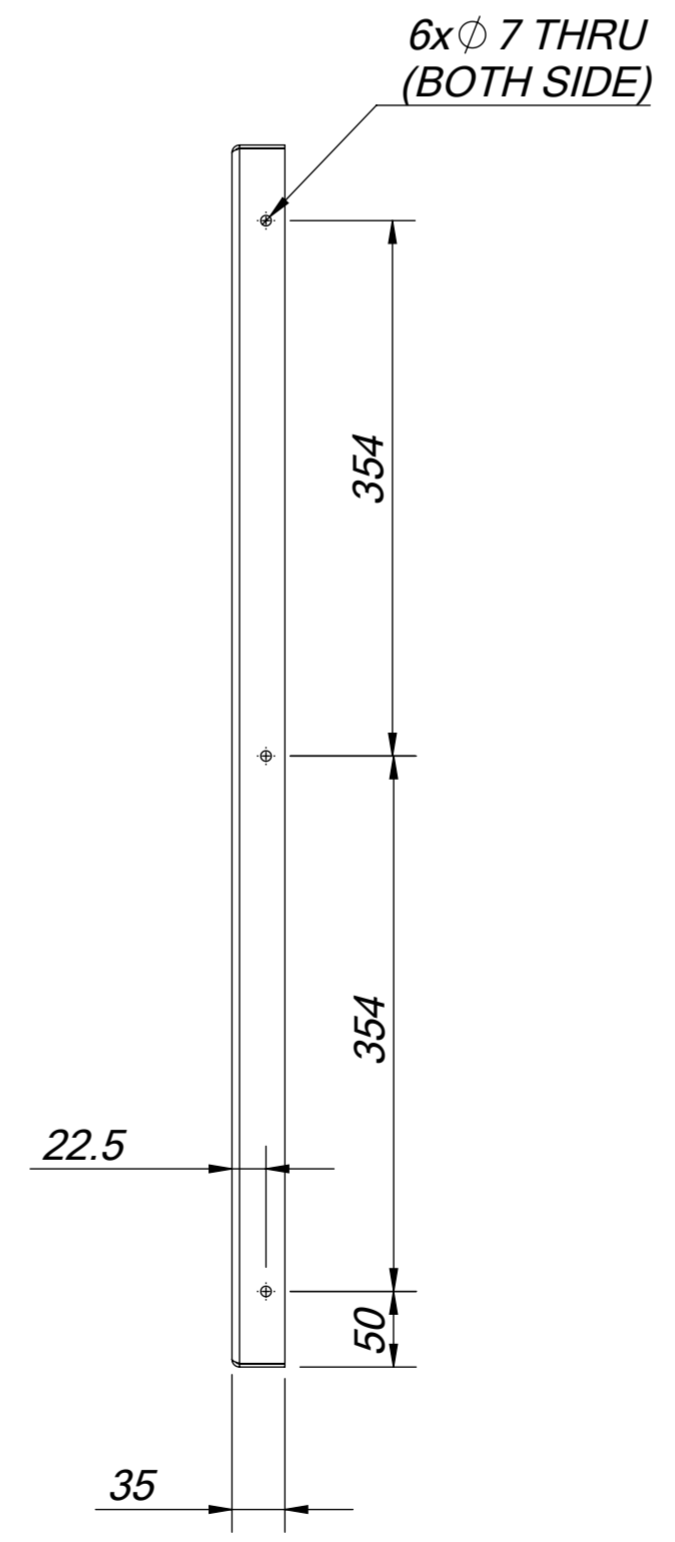
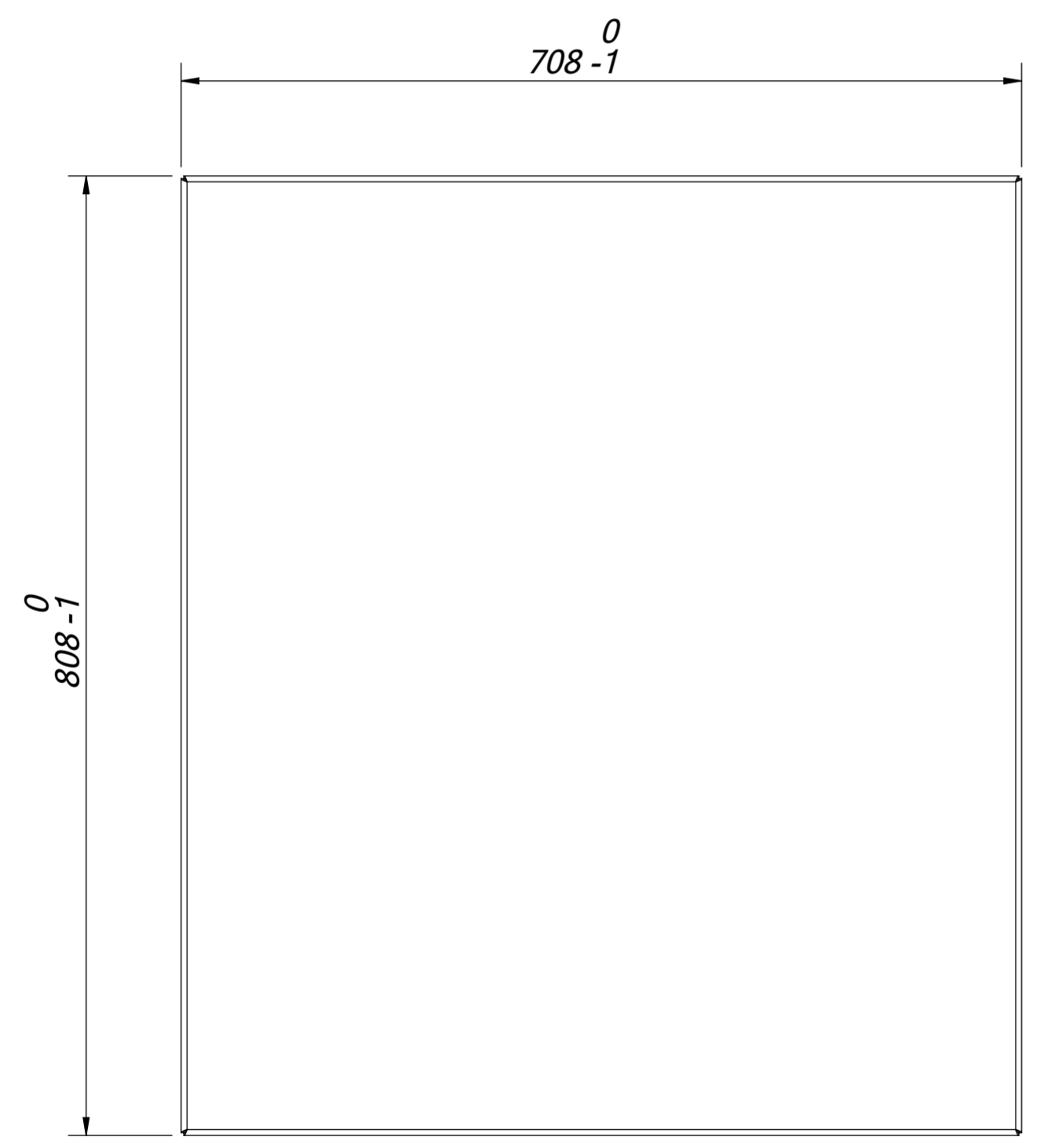
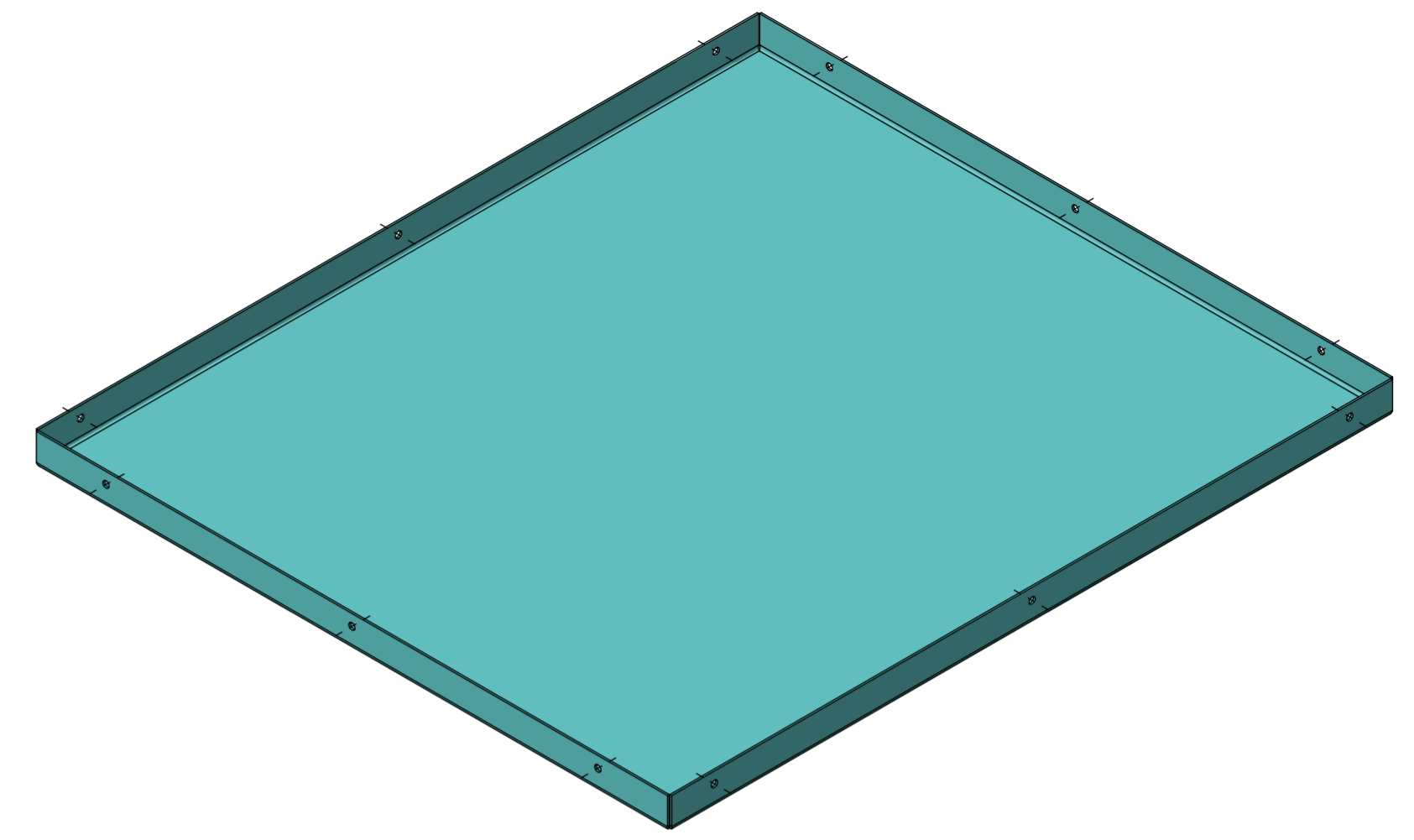
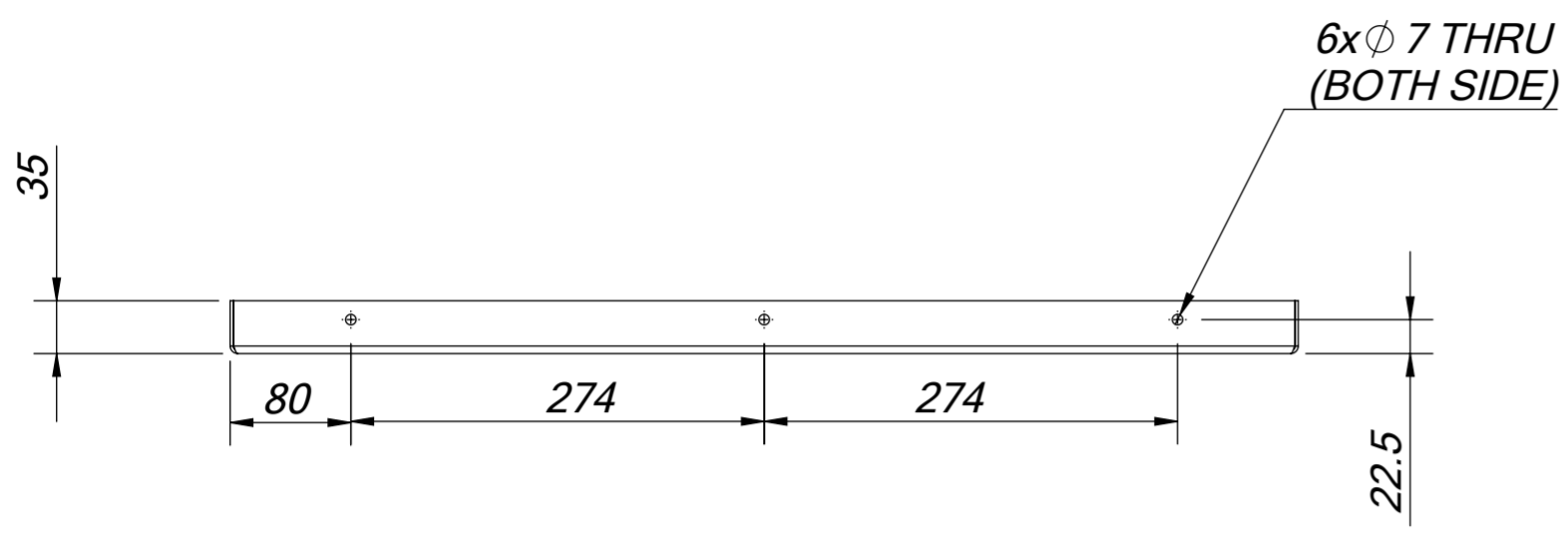


THIS DWG. IS SOLE PROPERTY OF PASKALS FLUID SYSTEM PVT. LTD. UNAUTHORISED USE OF THIS DWG. OR MAKING PRODUCT AS PER THIS DWG. WITHOUT OUR PERMISSION OR ANY OTHER MISUSE IS NOT PERMITTED.



BACK SIDE COVER

NOTE:-

1. ALL DIMENSIONS ARE IN MM.
2. MATERIAL- SS 304
3. SHEET THK.- 2 MM
4. QTY.- 1 NOS.
5. FINISH WEIGHT- 10 KG.

PASKALS Fluid Systems				PASKALS FLUID SYSTEM PVT LTD. E-148, SECTOR 63, NOIDA, UP-201301 Tel No.: 0120 4500800 Fax No.: 0120 4500888 E-mail: bd@paskals.com			
TITLE	NOZZLE TEST SYSTEM			QA No.			
SUB-TITLE	BACK SIDE COVER			Cross Ref Doc No.:			
SRS CODE	P3426			Customer Dwg Ref No.			
CUSTOMER	--			NOTE :			
END USER	--						
TD/PO. No.	--			DATED			
PROJECTION	DRWN	M.F	16/11/2024	SIZE	SCALE	SHEET	NEO DWG No.
	CHK.	P.N	16/11/2024	A3	NTS	01	T-PED-P3426-MDWG-BACK SIDE COVER
	APPR.	S.P.S	16/11/2024				00