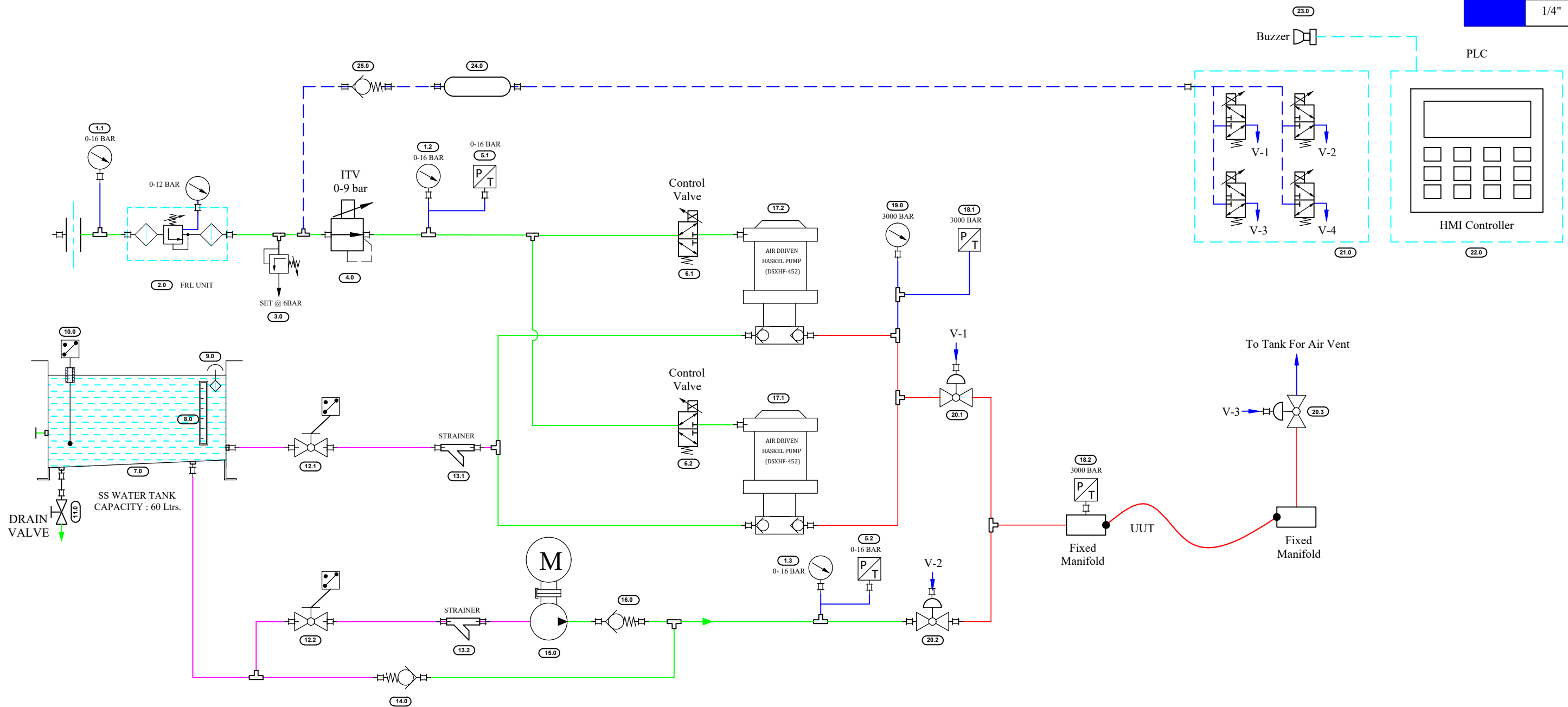


THIS DWG. IS SOLE PROPERTY OF PASKALS FLUID SYSTEM PVT. LTD. UNAUTHORISED USE OF THIS DWG. OR MAKING PRODUCT AS PER THIS DWG. WITHOUT OUR PERMISSION OR ANY OTHER MISUSE IS NOT PERMITTED.

COLOUR	LINE SIZE
Magenta	3/4" LP
Green	1/2" LP
Red	9/16" HP
Blue	1/4"



Note : Tentative drawing subject to change .

PASKALS Advanced Fluid Systems		PASKALS FLUID SYSTEMS PVT. LTD. E-148, Sector-63, Noida, UP-201301 Tel. No. :- 0120-4500800 Fax No. :- 0120-4500888 Email :- bd@paskals.com	
MAIN TITLE	HYDRAULIC BURST TEST RIG	Q.A No.	
SUB - TITLE	CIRCUIT DIAGRAM	Cross Ref. Doc. No.	
CODE	P3333	Customer Dwg./Ref. No.	
CUSTOMER	---	Note :	
END - USER	---		
PROJECTION	DRAWN BY & DATE	M.F	02/07/2024
	CHECKED BY & DATE	S.S	02/07/2024
	APPROVED BY & DATE	S.P.S	02/07/2024
	Size	Scale	Sheet No./Of
	A4	NTS	01/01
	Paskals. DWG. No.		REV
	T-DAP-P3333-CIRCUIT DWG.		01