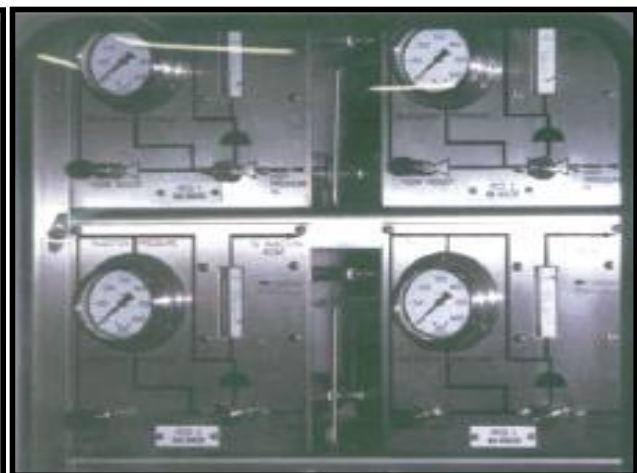
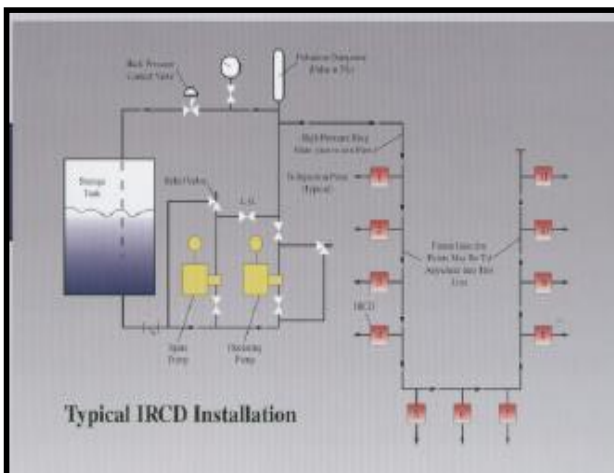


CHEMICAL INJECTION PACKAGES & METERING SKIDS

“A MUST HAVE FOR OIL& GAS PRODUCTION & WASTE WATER TREATMENT”



“Due to their legendary quality & reliability under the toughest worldwide conditions combined with excellent price quality ratio the compact line High pressure Chemical Injection Packages (GLYCOL, BIOSIDE, OCI etc.), Chemical Metering SKIDS, IRCD’S from Paskals are first choice of OIL& Gas and Water Treatment Industry Professionals.”

In technical collaboration with

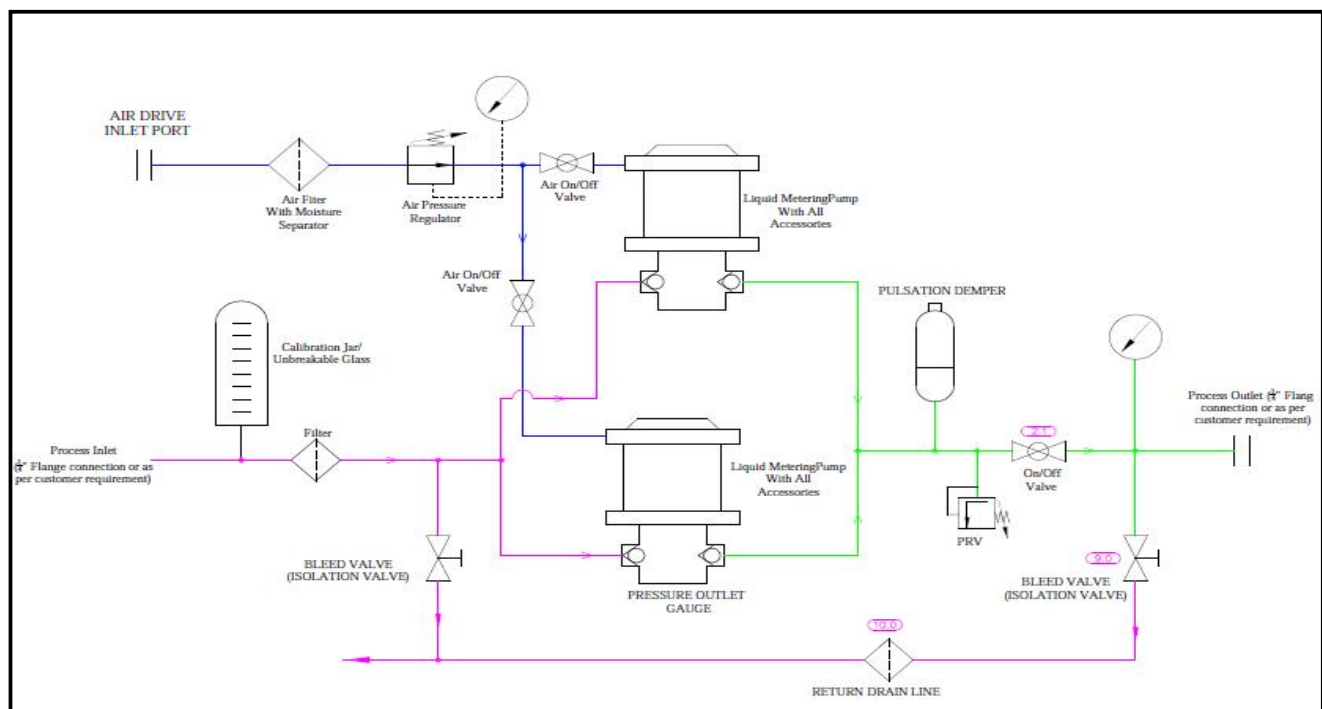


SYSTEM DETAILS

Chemical Injection system is a chemical dosing system which is mainly used for Oil& Gas production, water injection and reduction of corrosion problem; it involves the metering and transferring the fluid or injecting it in the process at a marginally higher pressure than the process (line) pressure.

The Flow as well as Pressure ,besides density/viscosity of the fluid are critical to the chemical injection process and it is usually achieved through a pumping system that generally consists of a Tank, mixing unit Pumps (**as per API 675**),pulsation dampner, mechanical ,electrical controls and safety systems.

A general P&ID of a CIP system is given below.



MAJOR COMPONENTS

- Air Driven /Motor driven Positive displacement control Volume Pump(API 675).
- Chemical Storage tank
- Pulsation dampner
- Calibration Jar
- Valves, Fittings, Process Line, SRV, Pressure Gauges etc.
- Flow meter (optional)
- PLC/Computer Control

REGULAR SYSTEMS/PACKAGES *

SL. No.	CHEMICAL NAME	INJECTION RATE	FLOW	PUMP SPECS
1	OIL SCALE INHIBITOR	25 LIT/DAY	10-100 LIT /DAY	Air Driven Metering Pump,WP 500 Psig
2	OIL SCALE INHIBITOR	20 LIT/DAY	10-100 LIT/DAY	Air Driven Metering Pump,WP 500 Psig
3	OIL SCALE INHIBITOR	15 LIT/DAY	10-100 LIT/DAY	Air Driven Metering Pump,WP 500 Psig
4	BIOCIDE	260 LIT/HOUR	100-300 LIT/HOUR	Air Driven Metering Pump,WP 120 Bar
5	WATER PHASE CORROSION INHIBITOR	105 LIT/DAY	25-150 LIT/DAY	Air Driven Metering Pump,WP 120 Bar
6	BIOCIDE	350 LIT/HOUR	Min -175 lit/hr Max-600 lit/hr	Air Driven Metering Pump,WP 120 Bar

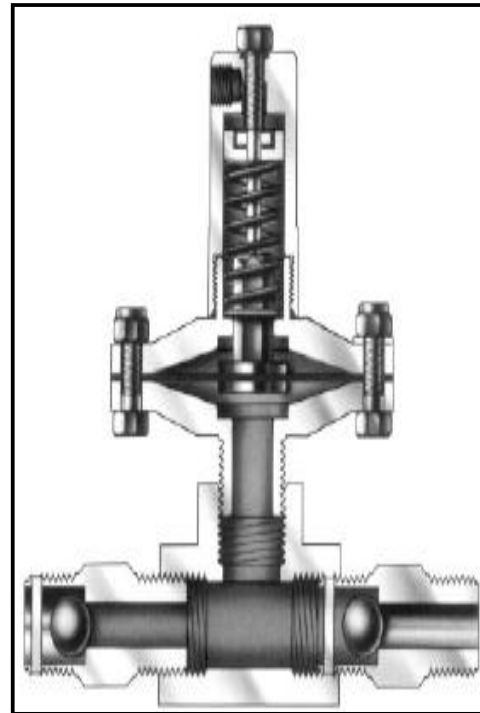
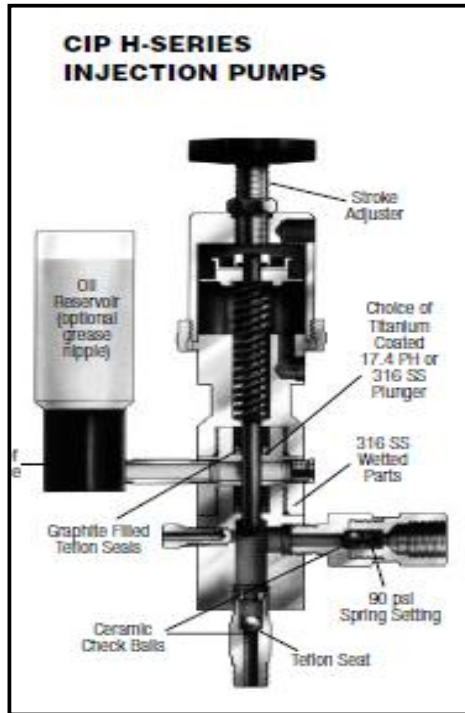
*Electric motor driven Metering Pumps are also available, please consult factory.

CUSTOM SYSTEMS/ PACKAGES *

SL. No.	CHEMICAL NAME	INJECTION RATE	FLOW	PUMP SPECS
1	ORANGE DYE	96 M ³ /hr	175 M ³ /hr	Electric Metering Pump,WP 3 Barg
2	ANTI OXIDANT	100 M ³ /hr	96-175 M ³ /hr	Electric Metering Pump,WP 3 Barg
3	SLOPS DEMULSIFIER	15 M ³ /hr	10-20 M ³ /hr	Electric Metering Pump,WP 4 Barg
4	ANTI SEDIMENT	300 M ³ /hr	381 M ³ /hr	Electric Metering Pump,WP 4 Barg
5	CETANE IMPROVER	300 M ³ /hr	381 M ³ /hr	Electric Metering Pump,WP 4 Barg
6	LPG ODORANT	85000 kg/hr	79000-95000 Kg/hr	Electric Metering Pump,WP 4 Barg

* The Data given above is for specific application and user requirements.

OTHER PRODUCTS *



KEY FEATURES

- All 316 Stainless Steel Wetted Ends. Other: 300 SS Series.
- Adjustable Stroke Length.
- Integral Timer (*see page 5*).
- Ceramic Check Valve Balls for Extended Life.
- Available in Double Seal (DS) Version.
- Wide Selection of Materials to Assure Chemical Compatibility.
- Designed to Provide Easy and Fast Maintenance.

SEAL OPTIONS

- (*please state choice when ordering*)
- Teflon (*Graphite Filled*) as Standard
 - Viton
 - Buna-N
 - Fluoraz

PLUNGER OPTIONS

- (*please state choice when ordering*)
- 316 SS
 - 17.4 PH (*Titanium Coated*)
 - Carpenter 20

*Please Consult Factory for further information.